

series K3R



K3R series of Gram. Precise weighing machine for industries.



- Highly resistant ABS indicator with powerful internal structure, multi-positional.
- LCD display with very bright automatic backlight.
- 4 auto-hold function levels to weigh large objects.
- Checking function: high/ok/low, with visual and sound indicator.
- Memory of 20 digital tares.
- Memory of 100 products for the piece counting function.
- Optional both PC or printer connection and remote display.
- Programmable auto power-off.
- Removable indicator support, with hooks to wind up the cable.
- Epoxy painted steel structure and stainless steel pan.



With K3R everything is possible.

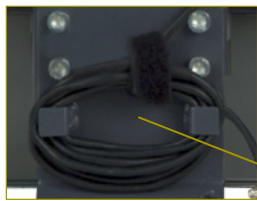
Possibility of multiple locations

When removed from its support, the indicator can be placed on the desk.



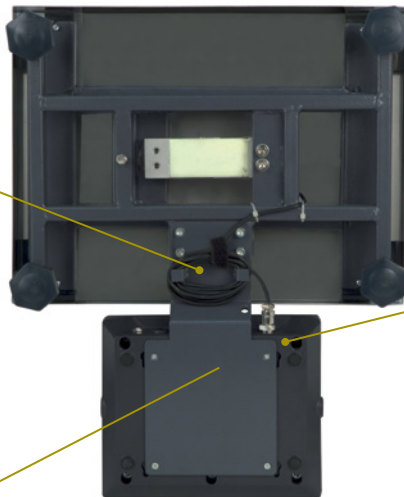
Outer platform

Possible connection with an external platform, which can control a platform weighing up to 60 tons (maximum 6 load cells of 350 Ω). Simply by pressing a key it is possible to weigh on an external platform with a greater capacity and to display the weight on the scale.



Hooks to wind up the cable

Two hooks to wind up the cable without difficulty.



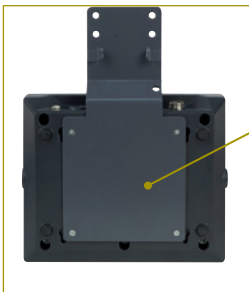
AC power and rechargeable battery

Inner watertight AC power and rechargeable battery allow using it in any situation including far away from power outlets.



Placement on the wall

Indicator can be placed on the wall.



Easily removable support

The platform is attached to the K3 indicator via a removable support which allows to place the indicator either on the wall, either on the desk.



Tickets printing

5 printing formats and in 4 languages: Spanish, English, French and German. It cumulates weights and prints the weights as well as the accumulated total.



Connectivity

With a RS 232-C data output compatible with our PR3 printer or PC. Data output for printing in 4 different languages and in 5 different printing formats. Connection to optional relay output and bi-scales.

Clear and easy-to-read display

Display LCD with very bright backlight. It also features an automatic power-off function of the backlight for longer battery life.

Classification viewer

Its indication bar is very useful in products classifying. Sound indicator cooperates with visual indicator.

Stainless steel pan

Suitable for an intensive use and adapts to the toughest environments.

Intuitive utilization keyboard

A cross-shaped keyboard simplifies navigating through the menus and scale configuration.



Main functions

Gram K3R series is a range of high resolution scales perfect for pharmaceutical industry, chemical industry, packaging and product checking. With a very solid structure and constructed in epoxy painted steel, K3R is ready for the most intensive uses.

Its industrial finish makes it adaptable to a daily use in the toughest environments. The platform can be attached to a K3 indicator by the means of a removable support, which allows for the indicator to be placed on the wall or on the desk.

The whole series is equipped with monotype ultra-light RX3 weighing cell, made of highly resistant aluminum, which not only grants a high precision, but also a long duration and high reliability.

The indicator is made of ABS. Its internal honeycomb structure guarantees a high resistance. Its reversible front part enables it to adapt to both wall and desk use.

Access to all functions is simple: a cross-shaped cursor for quick programming and selection of multiple modes of work. In a few seconds you can memorise a manual tare or weight limits selection in order to classify products.

With our K3R everything is possible, from piece counting with the memory up to 100 weight units to classifying the products with the memory up to 20 items and 20 tare memories.

Its powerful software allows advanced functions, including automatic tare, very useful in product packaging; last weight memory (with automatic deactivation when doing the following operation); and many more useful functions.

Its powerful software features advanced functions such as automatic tare, very useful in product packaging; memorisation of the last weighing, with automatic deactivation in order to perform the succeeding task and many more useful functions.

It has a connection for printer or PC, which together with our printer PR3 allows for the weight data to be obtained in Spanish, English, French and German and in five different print formats. Its function of accumulation of weights can then allow for the total amount of weights to be added up and printed.

Work without touching the keyboard with our optional tare output. With a pedal or a button you can tare recipients or ingredients without pressing the tare key. **Operate faster in the preparation of your orders or in the product packaging chain.**

The optional battery of the K3R allows a working autonomy of up to 60 hours (30 hours with backlight use).

Easy-to-clean

Thanks to its protected design, it can be easily washed with water and its inner parts will stay protected.

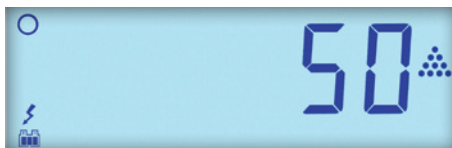


Function modes



Standard weighing

Weighing in grams, pounds or pounds/ounces.



Piece counting

It counts easily the parts of similar weight and memorizes unit weights of 100 different references.



Classification by weight

It classifies the parts by preselected minimal and maximal weight value. It works by blocks, with a direct display thanks to the classification bar.

Wireless connection: we offer you the latest technology.



With optional data output RS232-C compatible with our PR3-W (wireless) printer you can print even without cable. You can have your printer in the office and the scale in the warehouse.



Available options

- Relay output
- External tare output
- Double data output: printer and RS 232-C
- PR3 and PR3-W Printer
- RD-3 and RD3-W remote display
- Virtual Key Software for PC
- Tare pedal
- Outer platform

The indicator support can only be placed if you use either tare pedal or any data output. If you connect it with more than one option, you should remove the support from the indicator.

Technical specifications

Power: 230 V/50 Hz (Euro) 11 V AC

Operation temperature: +5°C / +35°C

Wireless remote indicator

For our remote display RD3-W you don't need to install long cables. With a digit size of 80 mm and wireless connection, the RD3-W can be freely placed to a distance of up to 50 metres away.

Technical features

Model	K3R-15D SE	K3R-30K SE
Reference	6431	6434
Capacity	1.500 g	30.000 g
Readability	0,5 g	1 g
Weight units	g (kg), lb, oz/lb	
Interface	RS 232-C y TTL	
Air humidity	máx. 99%	
Structure material	Highly resistant epoxy painted steel	
Platform material	Stainless steel	
Indicator material	ABS external structure	
Watertight protection	IP-65	
Platform size (mm)	400 x 300	500 x 400
Indicator size (mm)	220 x 180 x 83	
Total size (mm)	400 x 495 x 90	500 x 595 x 100
Total net weight (kg)	8	12



Tare pedal (optional)

With this useful pedal you can operate the tare function without touching the scale.

External dimensions (mm)

